

C L E A N F I R E S Y S T E M

**XARALYN®**

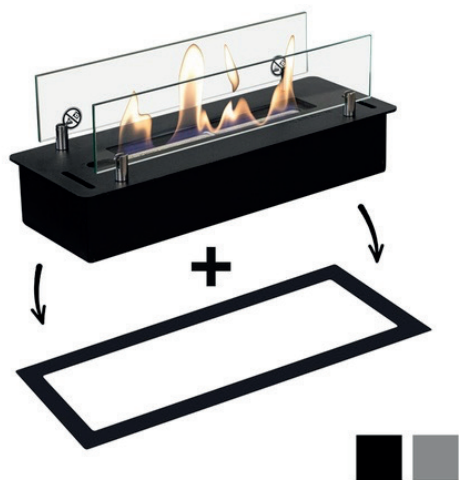
# Manual DIY installation bioethanol burner with profile



Installation overhang



Built-in profile






**Built-in profile**



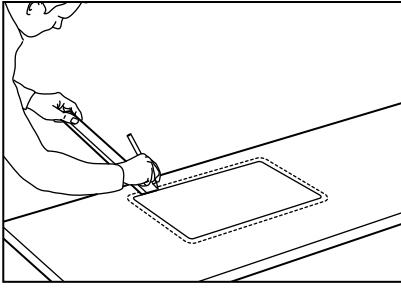
CLEAN FIRE SYSTEM  
**XARALYN**<sup>®</sup>  
Safest choice

## Installation with built-in profile

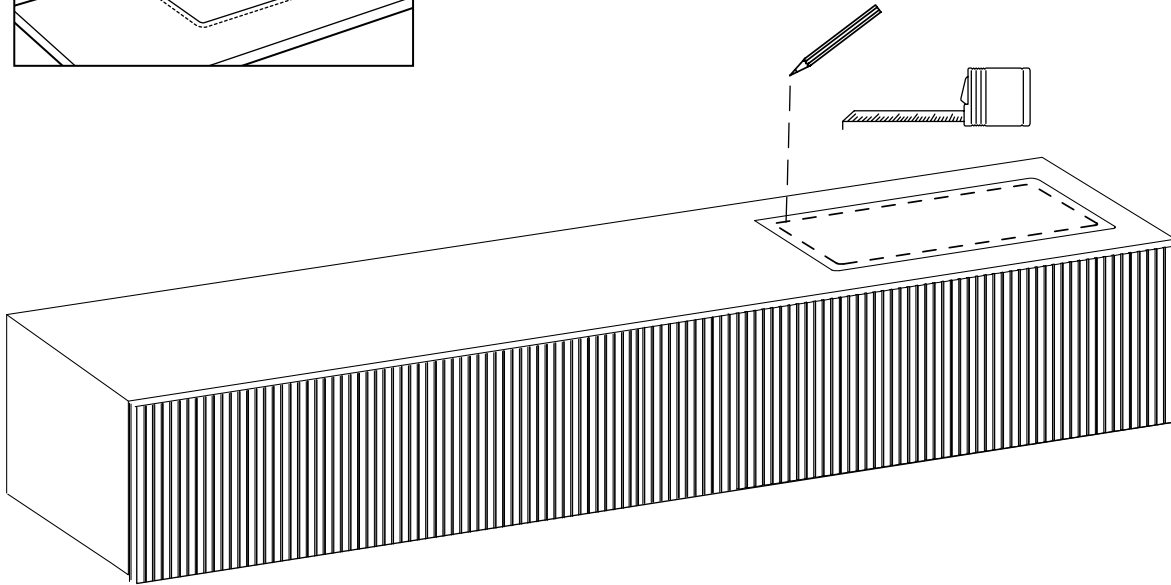
Suitable for:

- ✓ Stone furniture 
- ✓ Wood furniture 
- ✓ Steel furniture 

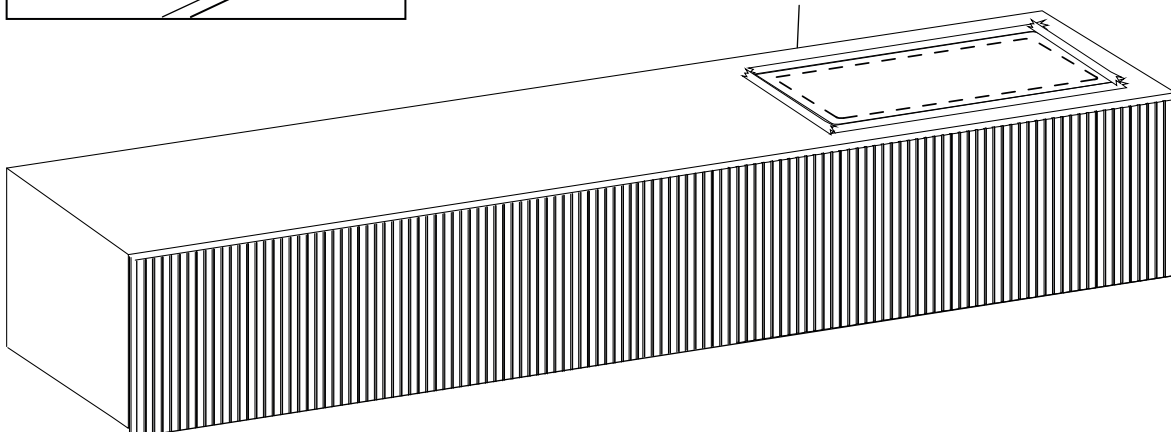
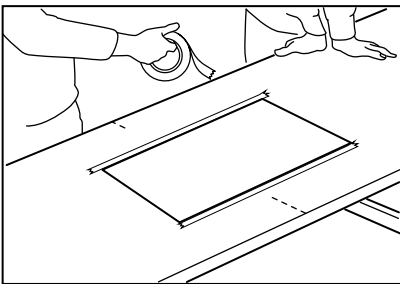
# 1 Measure and mark the hole



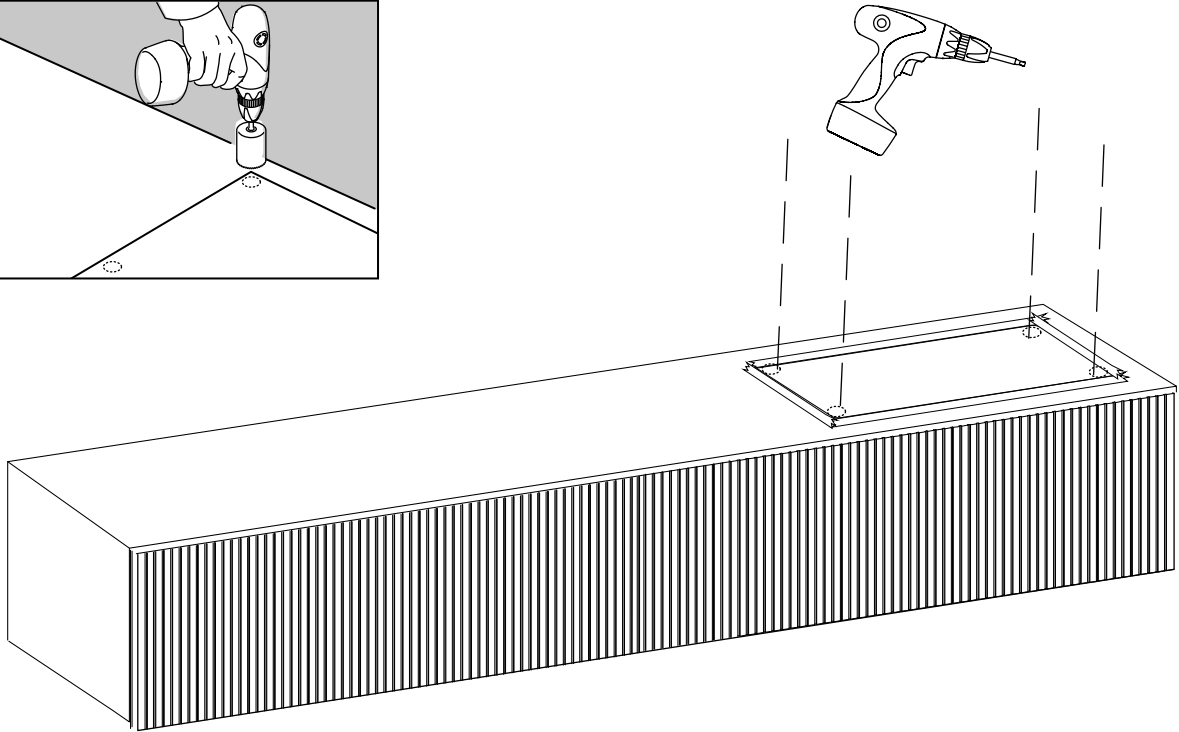
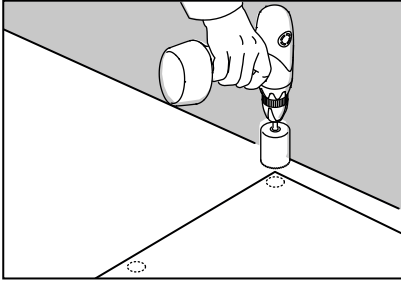
If you use a burner with a built-in profile. Then make sure you mark the hole 1.5cm smaller



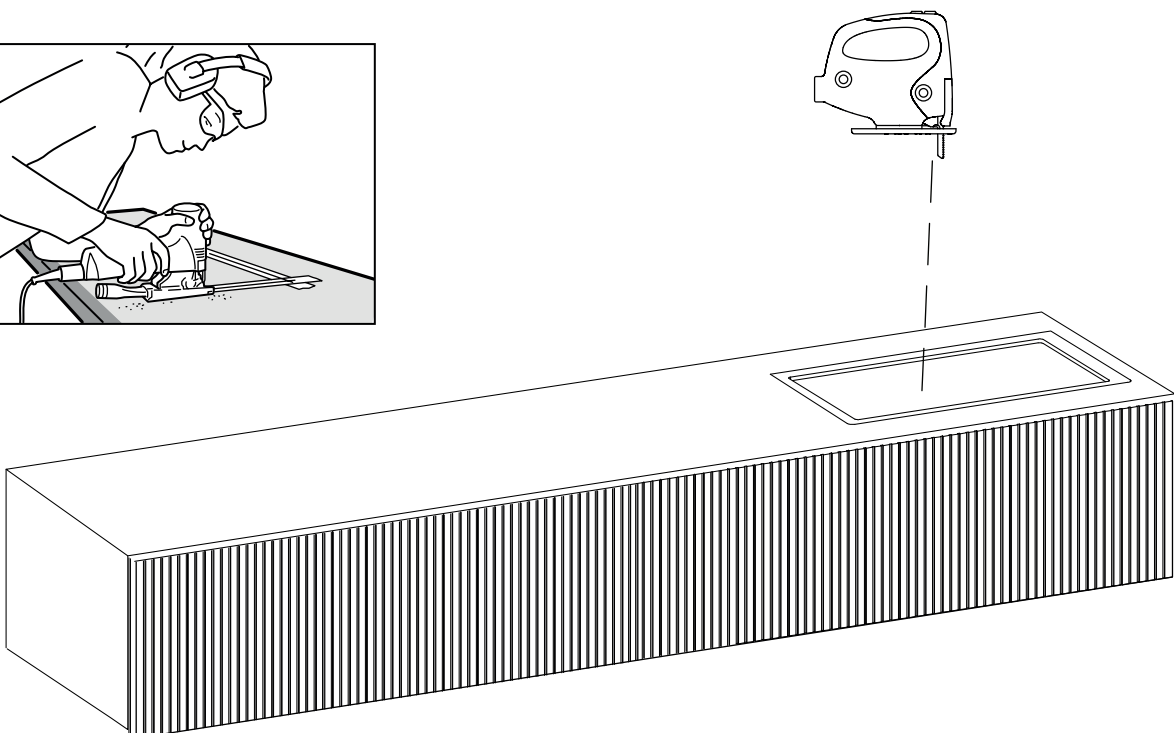
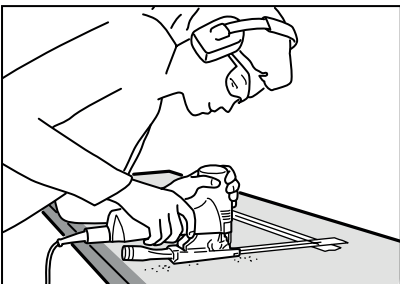
# 2 Tape to prevent splintering



### 3 Drill holes in the 4 corners

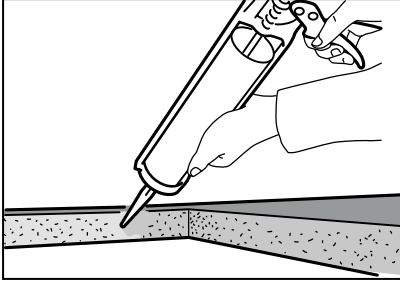


### 4 Cut the hole accurately with a jigsaw

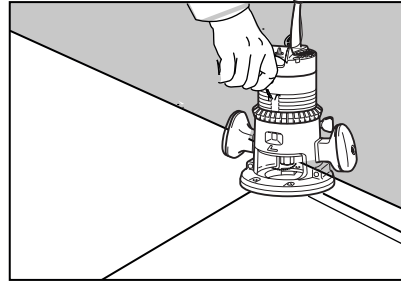


5

## Placing the profile



Or



### A: profile on top

Glue the profile with heat-resistant sealing

### B: profile deepened

Mill an edge to allow the profile to align with the furniture

●

## Placing the burner

